

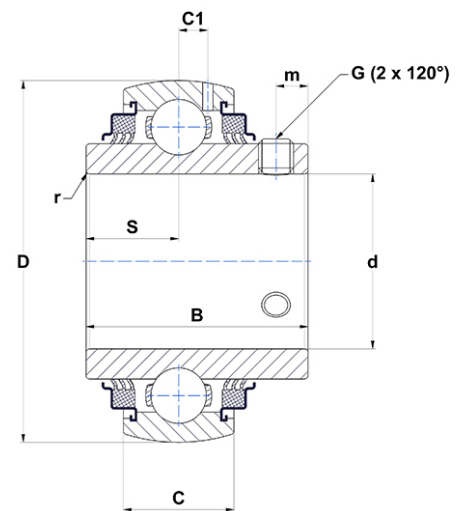
## PDF technical sheet UC218G2L3



### Insert bearings

spherical outer diameter, fixing by socket set screw, triple lip seal

Product definition	
B	3.7795 "
C	1.4567 "
C1	0.4724 "
d	3.5433 "
D	6.2992 "
G	M12x1,25
m	0.5512 "
r	2
S	1.5630 "
SW	0.2362 "



m.ncatalog.fo.featuresotherperformance	
C	96 kN
C0	71.50 kN
T min.	-4 °C
T max.	212 °C

Other features	
Weight	15.70 oz
Recommended tightening torque for set screw	33 Nm