

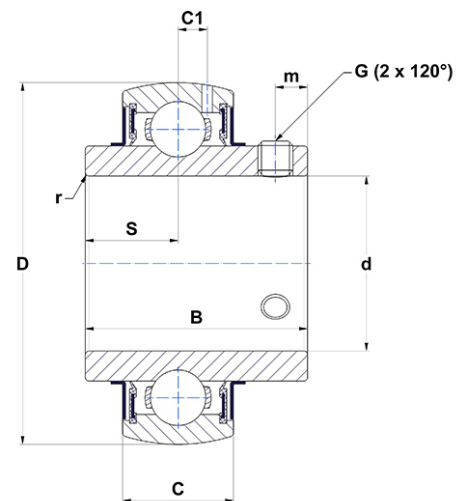
## PDF technical sheet UC21651G2T04



### Insert bearings

zinc-coated insert, spherical outer diameter with locking pin, fixing by socket set screw, seal with slinger, food grease

Product definition	
B	3.2520 "
C	1.2992 "
C1	0.4055 "
d	3.1875 "
D	5.5118 "
G	7/1620UNF
m	0.5512 "
r	2
S	1.3110 "
SW	0.2187 "



m.ncatalog.fo.featuresotherperformance	
C	72.50 kN
C0	54.20 kN
T min.	-40 °C
T max.	212 °C

Other features	
Weight	9.84 oz
Recommended tightening torque for set screw	27.10 Nm