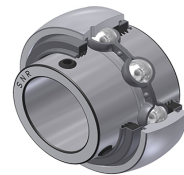


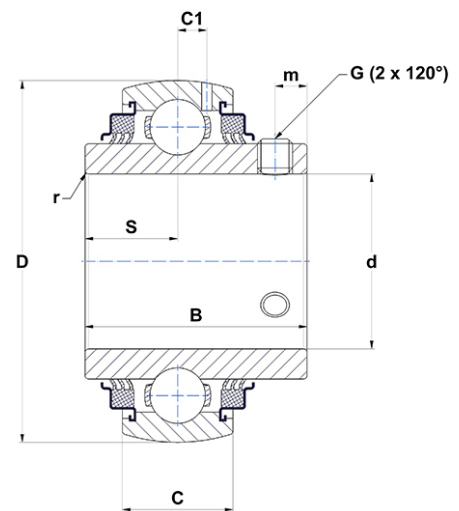
PDF technical sheet UC208G2L3



Insert bearings

spherical outer diameter, fixing by socket set screw, triple lip seal

Product definition	
B	1.9370 "
C	0.8268 "
C1	0.2480 "
d	1.5748 "
D	3.1496 "
G	M8x1
m	0.3150 "
r	1.1
S	0.7480 "
SW	0.1575 "



m.ncatalog.fo.featuresotherperformance	
C	29.60 kN
C0	18.20 kN
T min.	-4 °C
T max.	212 °C

Other features	
Weight	2.26 oz
Recommended tightening torque for set screw	11.50 Nm