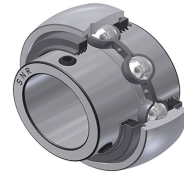


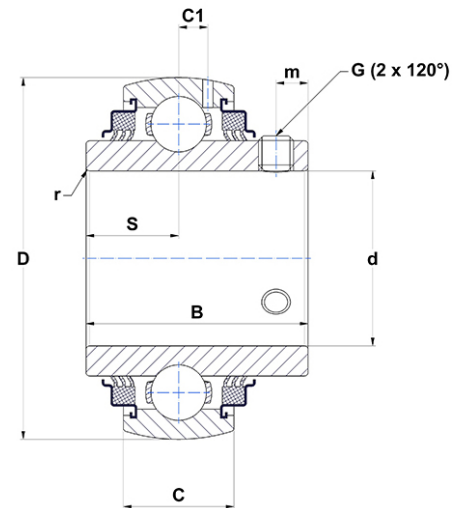
## PDF technical sheet UC206G2L3



### Insert bearings

spherical outer diameter, fixing by socket set screw, triple lip seal

Product definition	
B	1.5000 "
C	0.7480 "
C1	0.1969 "
d	1.1811 "
D	2.4409 "
G	M6x1
m	0.2165 "
r	0.6
S	0.6260 "
SW	0.1181 "



m.ncatalog.fo.featuresotherperformance	
C	19.50 kN
C0	11.20 kN
T min.	-4 °C
T max.	212 °C

Other features	
Weight	1.13 oz
Recommended tightening torque for set screw	5.50 Nm