

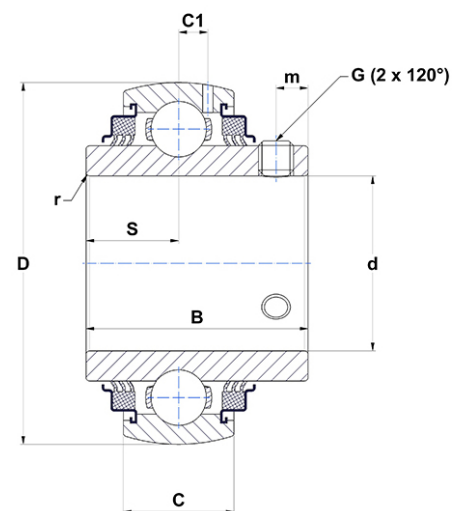
PDF technical sheet UC205G2L3



Insert bearings

spherical outer diameter, fixing by socket set screw, triple lip seal

Product definition	
B	1.3386 "
C	0.6693 "
C1	0.1693 "
d	0.9843 "
D	2.0472 "
G	M6x1
m	0.2165 "
r	0.6
S	0.5630 "
SW	0.1181 "



m.ncatalog.fo.featuresotherperformance	
C	14 kN
C0	7.88 kN
T min.	-4 °C
T max.	212 °C

Other features	
Weight	0.74 oz
Recommended tightening torque for set screw	5.50 Nm