

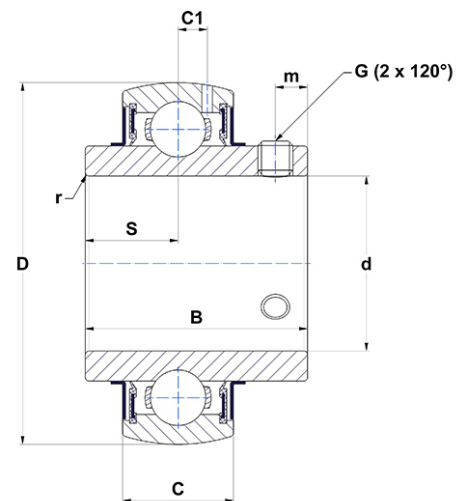
PDF technical sheet UC20514G2



Insert bearings

zinc-coated insert, spherical outer diameter with locking pin, fixing by socket set screw, seal with slinger, food grease

| Product definition | |
|--------------------|----------|
| B | 1.3386 " |
| C | 0.6693 " |
| C1 | 0.1693 " |
| d | 0.8750 " |
| D | 2.0472 " |
| G | 1/428UNF |
| m | 0.2165 " |
| r | 0.6 |
| S | 0.5630 " |
| SW | 0.1250 " |



| m.ncatalog.fo.featuresotherperformance | |
|--|---------|
| C | 14 kN |
| C0 | 7.88 kN |
| T min. | -4 °C |
| T max. | 212 °C |

| Other features | |
|---|---------|
| Weight | 0.74 oz |
| Recommended tightening torque for set screw | 3.70 Nm |