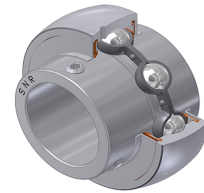


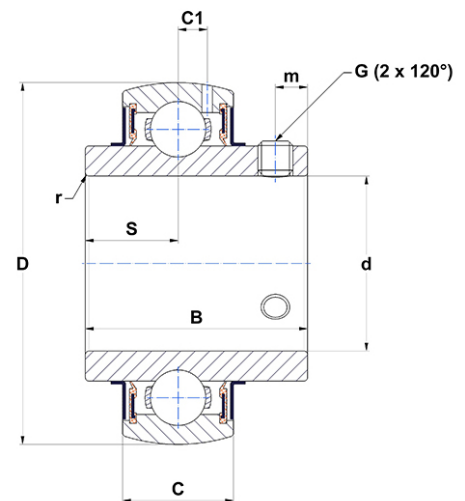
## PDF technical sheet SUC210



### Insert bearings

stainless steel insert, spherical outer diameter, fixing by socket set screw, seal with slinger, food grease

Product definition	
B	2.0315 "
C	0.9449 "
C1	0.2559 "
d	1.9685 "
D	3.5433 "
G	M10x1,25
m	0.3937 "
r	1
S	0.7480 "
SW	0.1969 "



m.ncatalog.fo.featuresotherperformance	
C	27.50 kN
C0	23.70 kN
T min.	-4 °C
T max.	212 °C

Other features	
Weight	2.72 oz
Recommended tightening torque for set screw	18.70 Nm