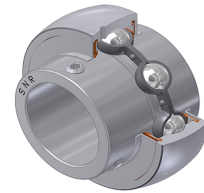


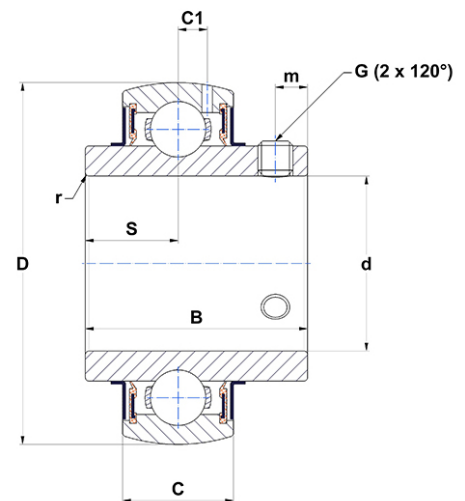
## PDF technical sheet SUC20824



### Insert bearings

stainless steel insert, spherical outer diameter, fixing by socket set screw, seal with slinger, food grease

Product definition	
B	1.9370 "
C	0.8268 "
C1	0.2441 "
d	1.5000 "
D	3.1496 "
G	5/1624UNF
m	0.3150 "
r	1
S	0.7480 "
SW	0.1563 "



m.ncatalog.fo.featuresotherperformance	
C	22.80 kN
C0	18.20 kN
T min.	-4 °C
T max.	212 °C

Other features	
Weight	2.22 oz
Recommended tightening torque for set screw	8.30 Nm