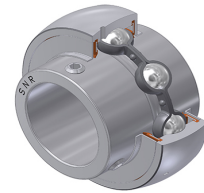


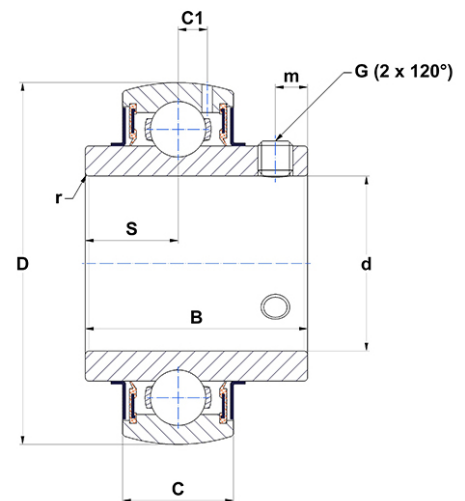
PDF technical sheet SUC20722



Insert bearings

stainless steel insert, spherical outer diameter, fixing by socket set screw, seal with slinger, food grease

| Product definition | |
|--------------------|-----------|
| B | 1.6890 " |
| C | 0.7874 " |
| C1 | 0.2244 " |
| d | 1.3750 " |
| D | 2.8346 " |
| G | 5/1624UNF |
| m | 0.2559 " |
| r | 1 |
| S | 0.6890 " |
| SW | 0.1563 " |



| m.ncatalog.fo.featuresotherperformance | |
|--|----------|
| C | 20.10 kN |
| C0 | 15.60 kN |
| T min. | -4 °C |
| T max. | 212 °C |

| Other features | |
|---|---------|
| Weight | 1.66 oz |
| Recommended tightening torque for set screw | 8.30 Nm |