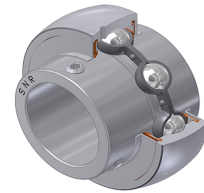


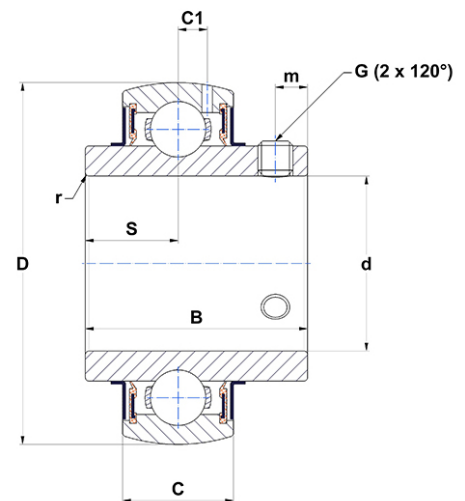
PDF technical sheet SUC20516



Insert bearings

stainless steel insert, spherical outer diameter, fixing by socket set screw, seal with slinger, food grease

Product definition	
B	1.3425 "
C	0.6693 "
C1	0.1535 "
d	1.0000 "
D	2.0472 "
G	1/428UNF
m	0.1969 "
r	0.5
S	0.5630 "
SW	0.1250 "



m.ncatalog.fo.featuresotherperformance	
C	11 kN
C0	8 kN
T min.	-4 °C
T max.	212 °C

Other features	
Weight	0.71 oz
Recommended tightening torque for set screw	3.90 Nm