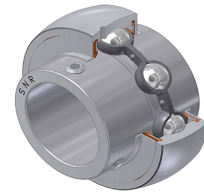


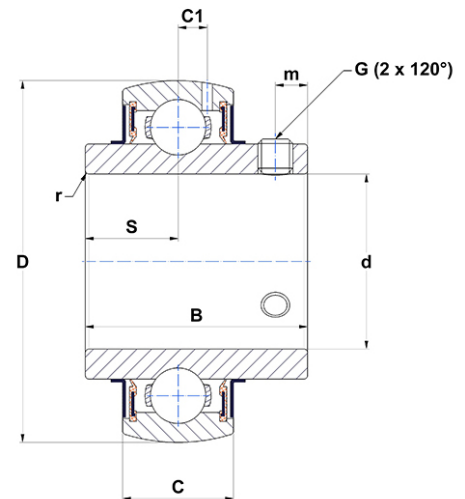
PDF technical sheet SUC203



Insert bearings

stainless steel insert, spherical outer diameter, fixing by socket set screw, seal with slinger, food grease

Product definition	
B	1.2205 "
C	0.6693 "
C1	0.1457 "
d	0.6693 "
D	1.8504 "
G	M6x1
m	0.1969 "
r	0.5
S	0.5000 "
SW	0.1181 "



m.ncatalog.fo.featuresotherperformance	
C	10.10 kN
C0	6.80 kN
T min.	-4 °C
T max.	212 °C

Other features	
Weight	0.63 oz
Recommended tightening torque for set screw	3.90 Nm