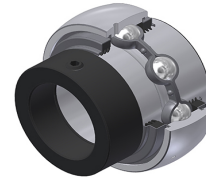


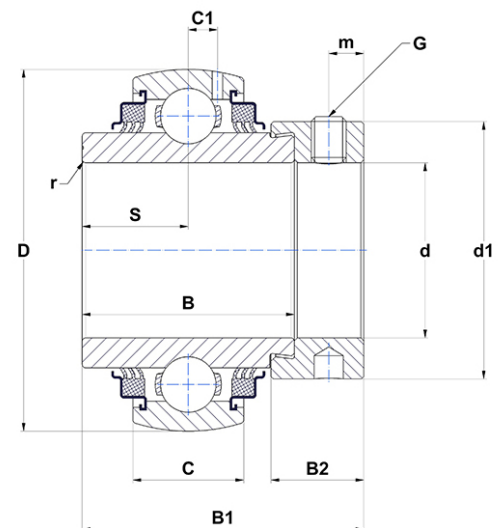
## PDF technical sheet EX319G2L3



### Insert bearings

spherical outer diameter, fixing by eccentric locking collar, triple lip seal

Product definition	
B	3.6890 "
B1	4.8150 "
B2	1.4370 "
C	1.9685 "
C1	0.6575 "
d	3.7402 "
d1	5.5118 "
D	7.8740 "
G	M20x1,5
m	0.5709 "
r	3
S	1.8425 "
SW	0.3937 "



m.ncatalog.fo.featuresotherperformance	
C	156 kN
C0	122 kN
T min.	-4 °C
T max.	212 °C

Other features	
Weight	36.68 oz
Recommended tightening torque for set screw	120 Nm