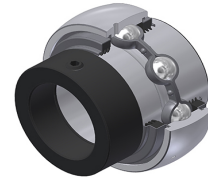


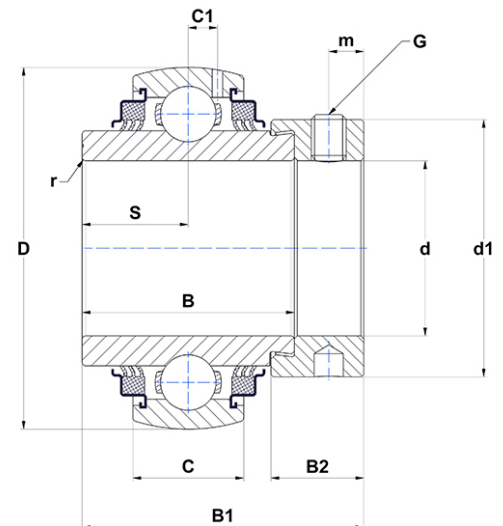
## PDF technical sheet EX31443G2L3



### Insert bearings

spherical outer diameter, fixing by eccentric locking collar, triple lip seal

| Product definition |           |
|--------------------|-----------|
| B                  | 2.6890 "  |
| B1                 | 3.6260 "  |
| B2                 | 1.1890 "  |
| C                  | 1.5748 "  |
| C1                 | 0.5039 "  |
| d                  | 2.6875 "  |
| d1                 | 4.0157 "  |
| D                  | 5.9055 "  |
| G                  | 7/1620UNF |
| m                  | 0.4724 "  |
| r                  | 2.5       |
| S                  | 1.3465 "  |
| SW                 | 0.2187 "  |



| m.ncatalog.fo.featuresotherperformance |           |
|--|-----------|
| C                                      | 104.26 kN |
| C0                                     | 68 kN     |
| T min.                                 | -4 °C     |
| T max.                                 | 212 °C    |

| Other features                              |          |
|---|----------|
| Weight                                      | 15.70 oz |
| Recommended tightening torque for set screw | 27.10 Nm |