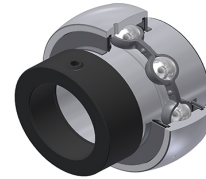


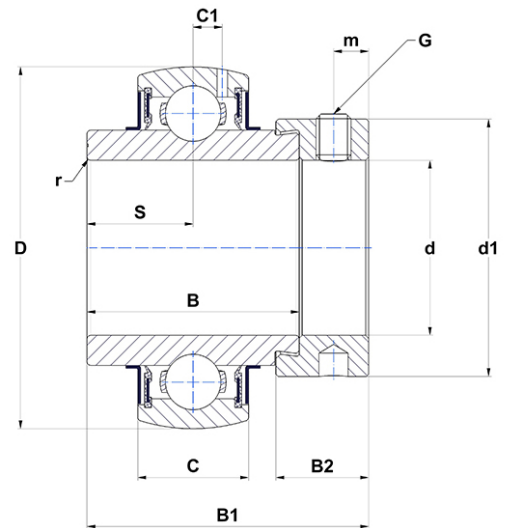
PDF technical sheet EX30720G2



Insert bearings

spherical outer diameter, fixing by eccentric locking collar, seal with slinger, for low-temp. applications

Product definition	
B	1.5000 "
B1	2.0315 "
B2	0.6890 "
C	0.9843 "
C1	0.2835 "
d	1.2500 "
d1	2.1654 "
D	3.1496 "
G	5/1624UNF
m	0.2638 "
r	2
S	0.7205 "
SW	0.1563 "



m.ncatalog.fo.featuresotherperformance	
C	33.50 kN
C0	19.20 kN
T min.	-4 °C
T max.	212 °C

Other features	
Weight	3.03 oz
Recommended tightening torque for set screw	8 Nm