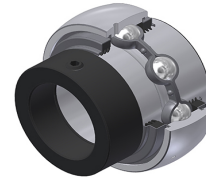


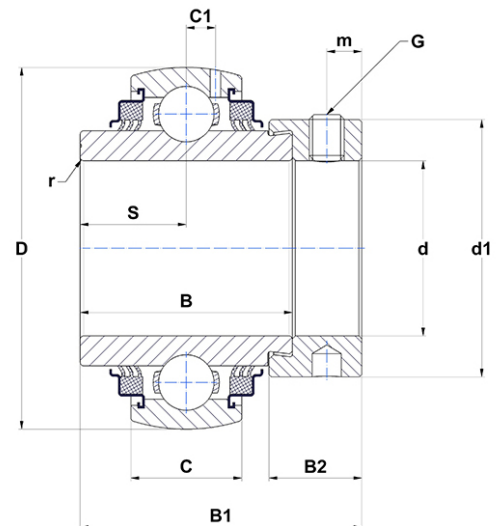
PDF technical sheet EX306G2L3



Insert bearings

spherical outer diameter, fixing by eccentric locking collar, triple lip seal

Product definition	
B	1.4370 "
B1	1.9685 "
B2	0.6890 "
C	0.9449 "
C1	0.2559 "
d	1.1811 "
d1	1.9685 "
D	2.8346 "
G	M8x1
m	0.2638 "
r	1.5
S	0.6890 "
SW	0.1575 "



m.ncatalog.fo.featuresotherperformance	
C	27 kN
C0	15.20 kN
T min.	-4 °C
T max.	212 °C

Other features	
Weight	2.40 oz
Recommended tightening torque for set screw	11.50 Nm