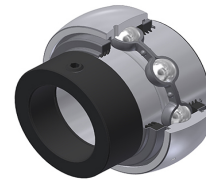


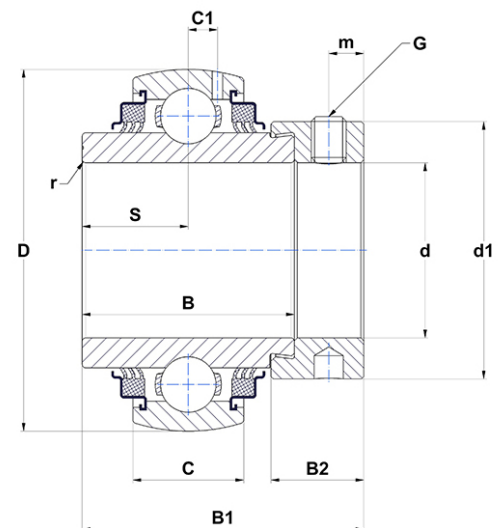
## PDF technical sheet EX21752G2L3



### Insert bearings

spherical outer diameter, fixing by eccentric locking collar, triple lip seal

Product definition	
B	2.0945 "
B1	2.8819 "
B2	1.0630 "
C	1.3780 "
C1	0.4331 "
d	3.2500 "
d1	4.6850 "
D	5.9055 "
G	7/1620UNF
m	0.3937 "
r	2
S	0.9213 "
SW	0.2187 "



m.ncatalog.fo.featuresotherperformance	
C	83.20 kN
C0	63.80 kN
T min.	-4 °C
T max.	212 °C

Other features	
Weight	12.87 oz
Recommended tightening torque for set screw	27.10 Nm