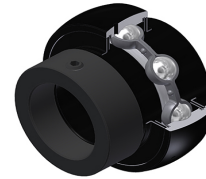


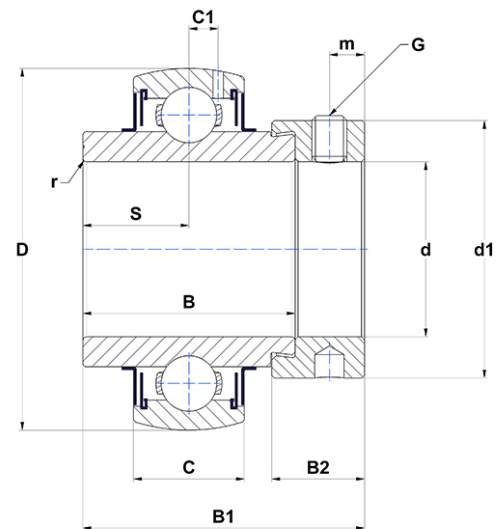
## PDF technical sheet EX21651G2T20



### Insert bearings

spherical outer diameter, fixing by eccentric locking collar, labyrinth seal, for high-temp. applications

Product definition	
B	2.9370 "
B1	3.7480 "
B2	1.0630 "
C	1.2992 "
C1	0.4055 "
d	3.1875 "
d1	4.3307 "
D	5.5118 "
G	3/824UNF
m	0.4055 "
r	2
S	1.4685 "
SW	0.1875 "



m.ncatalog.fo.featuresotherperformance	
C	72.50 kN
C0	54.20 kN
T min.	-4 °C
T max.	392 °C

Other features	
Weight	10.76 oz
Recommended tightening torque for set screw	16.80 Nm