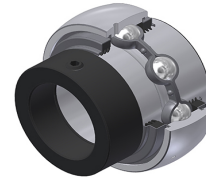


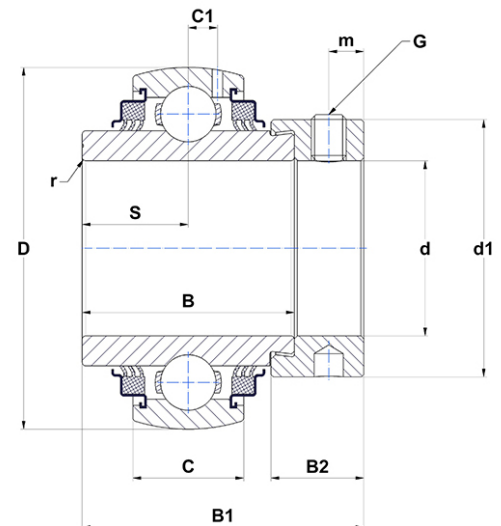
PDF technical sheet EX215G2L3



Insert bearings

spherical outer diameter, fixing by eccentric locking collar, triple lip seal

Product definition	
B	2.9370 "
B1	3.6260 "
B2	0.9409 "
C	1.1811 "
C1	0.3543 "
d	2.9528 "
d1	4.0157 "
D	5.1181 "
G	M10x1,25
m	0.3346 "
r	2
S	1.4685 "
SW	0.1969 "



m.ncatalog.fo.featuresotherperformance	
C	66 kN
C0	49.50 kN
T min.	-4 °C
T max.	212 °C

Other features	
Weight	10.02 oz
Recommended tightening torque for set screw	22 Nm