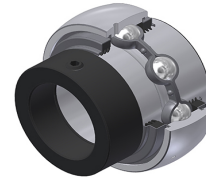


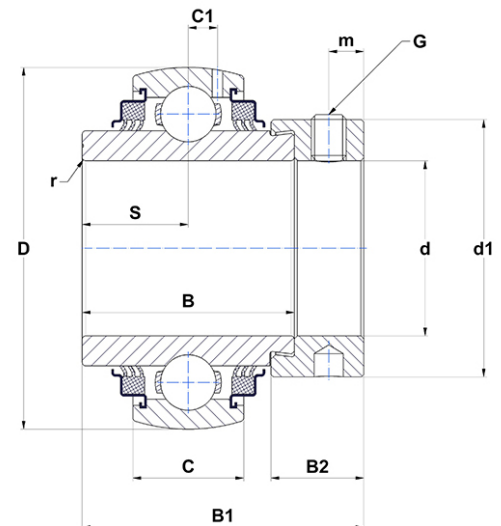
PDF technical sheet EX213G2L3



Insert bearings

spherical outer diameter, fixing by eccentric locking collar, triple lip seal

Product definition	
B	2.6850 "
B1	3.3740 "
B2	0.9252 "
C	1.1024 "
C1	0.3150 "
d	2.5591 "
d1	3.3858 "
D	4.7244 "
G	M10x1,25
m	0.3346 "
r	1.5
S	1.3425 "
SW	0.1969 "



m.ncatalog.fo.featuresotherperformance	
C	57.20 kN
C0	40 kN
T min.	-4 °C
T max.	212 °C

Other features	
Weight	8.50 oz
Recommended tightening torque for set screw	22 Nm