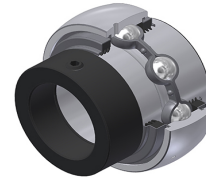


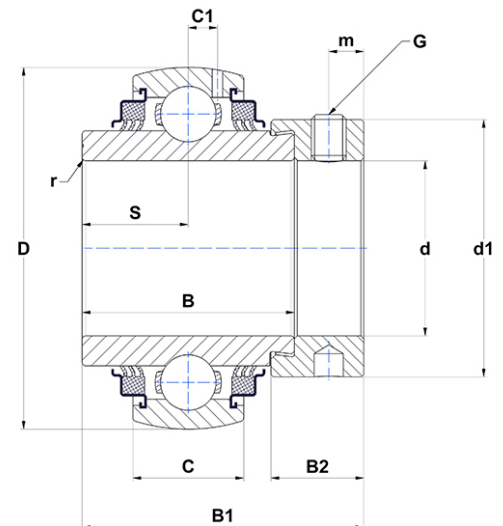
PDF technical sheet EX21132G2L3



Insert bearings

spherical outer diameter, fixing by eccentric locking collar, triple lip seal

Product definition	
B	2.1811 "
B1	2.8071 "
B2	0.8150 "
C	0.9843 "
C1	0.2835 "
d	2.0000 "
d1	2.9331 "
D	3.9370 "
G	3/824UNF
m	0.3150 "
r	1.5
S	1.0906 "
SW	0.1875 "



m.ncatalog.fo.featuresotherperformance	
C	43.55 kN
C0	29.20 kN
T min.	-4 °C
T max.	212 °C

Other features	
Weight	5.57 oz
Recommended tightening torque for set screw	16.80 Nm