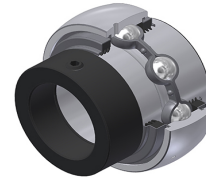


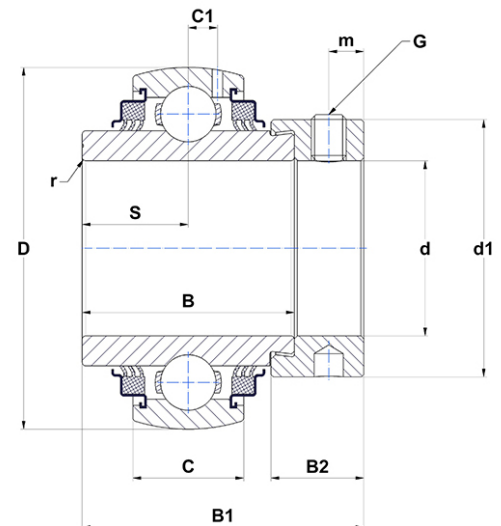
## PDF technical sheet EX208G2L3



### Insert bearings

spherical outer diameter, fixing by eccentric locking collar, triple lip seal

Product definition	
B	1.6850 "
B1	2.2165 "
B2	0.7205 "
C	0.8268 "
C1	0.2480 "
d	1.5748 "
d1	2.2244 "
D	3.1496 "
G	M8x1
m	0.2559 "
r	1.1
S	0.8425 "
SW	0.1575 "



m.ncatalog.fo.featuresotherperformance	
C	29.60 kN
C0	18.20 kN
T min.	-4 °C
T max.	212 °C

Other features	
Weight	2.75 oz
Recommended tightening torque for set screw	11.50 Nm