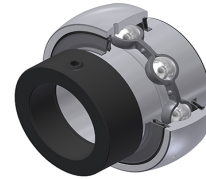


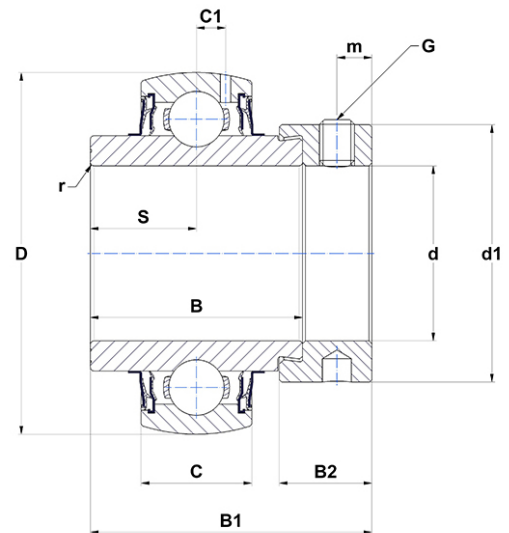
PDF technical sheet EX207G2L4



Insert bearings

zinc-coated insert, spherical outer diameter, fixing by eccentric locking collar, L4 - sealing system

Product definition	
B	1.4803 "
B1	2.0118 "
B2	0.6890 "
C	0.7874 "
C1	0.2283 "
d	1.3780 "
d1	2.0118 "
D	2.8346 "
G	M8x1
m	0.2559 "
r	1.1
S	0.7402 "
SW	0.1575 "



m.ncatalog.fo.featuresotherperformance	
C	25.70 kN
C0	15.20 kN
T min.	-4 °C
T max.	212 °C

Other features	
Weight	2.12 oz
Recommended tightening torque for set screw	11.50 Nm