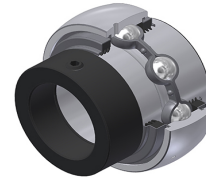


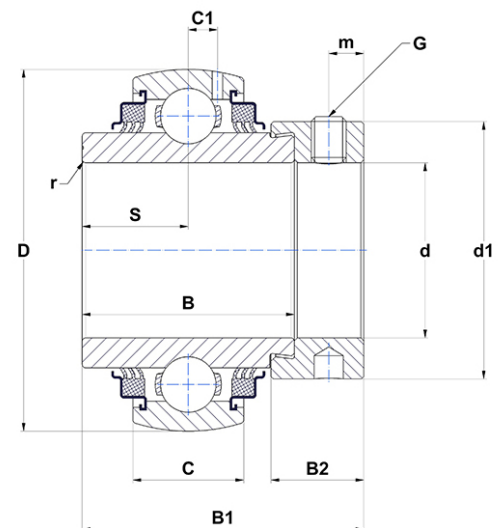
## PDF technical sheet EX20723G2L3



### Insert bearings

spherical outer diameter, fixing by eccentric locking collar, triple lip seal

| Product definition |           |
|--------------------|-----------|
| B                  | 1.4803 "  |
| B1                 | 2.0118 "  |
| B2                 | 0.6890 "  |
| C                  | 0.7874 "  |
| C1                 | 0.2283 "  |
| d                  | 1.4375 "  |
| d1                 | 2.0118 "  |
| D                  | 2.8346 "  |
| G                  | 5/1624UNF |
| m                  | 0.2559 "  |
| r                  | 1.1       |
| S                  | 0.7402 "  |
| SW                 | 0.1563 "  |



| m.ncatalog.fo.featuresotherperformance |          |
|--|----------|
| C                                      | 25.70 kN |
| C0                                     | 15.20 kN |
| T min.                                 | -4 °C    |
| T max.                                 | 212 °C   |

| Other features                              |         |
|---|---------|
| Weight                                      | 2.05 oz |
| Recommended tightening torque for set screw | 8 Nm    |