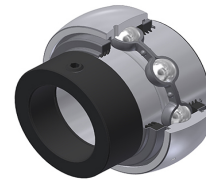


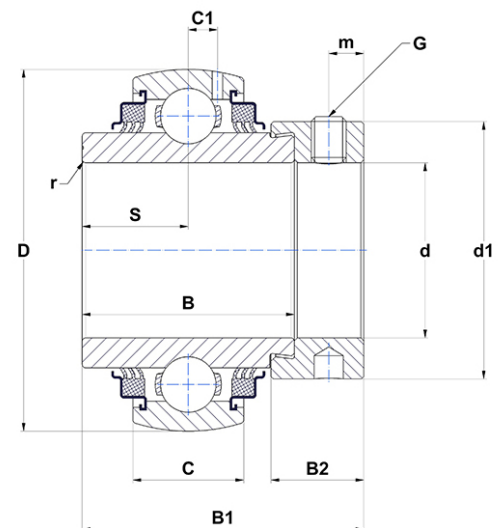
PDF technical sheet EX20619G2L3



Insert bearings

spherical outer diameter, fixing by eccentric locking collar, triple lip seal

Product definition	
B	1.4331 "
B1	1.9016 "
B2	0.6260 "
C	0.7480 "
C1	0.1969 "
d	1.1875 "
d1	1.7362 "
D	2.4409 "
G	5/1624UNF
m	0.2362 "
r	0.6
S	0.7165 "
SW	0.1563 "



m.ncatalog.fo.featuresotherperformance	
C	19.50 kN
C0	11.20 kN
T min.	-4 °C
T max.	212 °C

Other features	
Weight	1.41 oz
Recommended tightening torque for set screw	8 Nm