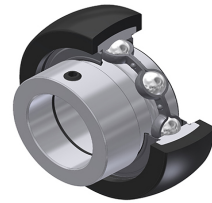


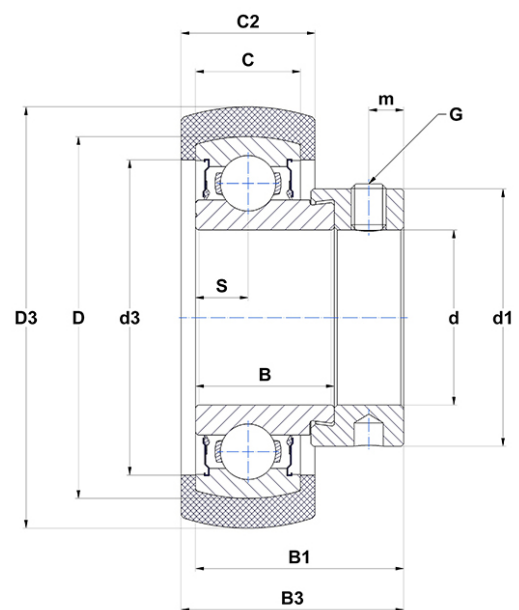
PDF technical sheet ESR210B



Insert bearings

spherical outer diameter with rubber damping ring, IR zinc-coated, fixing by eccentric locking collar, single lip seal

Product definition	
B	1.1890 "
B1	1.7205 "
B3	1.8780 "
C	0.8661 "
C2	1.1811 "
d	1.9685 "
d1	2.6457 "
d3	3.1496 "
D	3.5433 "
D3	3.9449 "
G	M8x1
m	0.2559 "
r	50
S	0.4331 "
SW	0.1575 "



m.ncatalog.fo.featuresotherperformance	
C	35.10 kN
C0	23.20 kN
T min.	-4 °C
T max.	185 °C

Other features	
Weight	3.10 oz
Recommended tightening torque for set screw	11.50 Nm