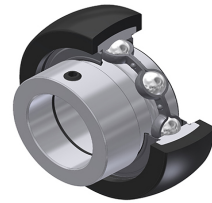


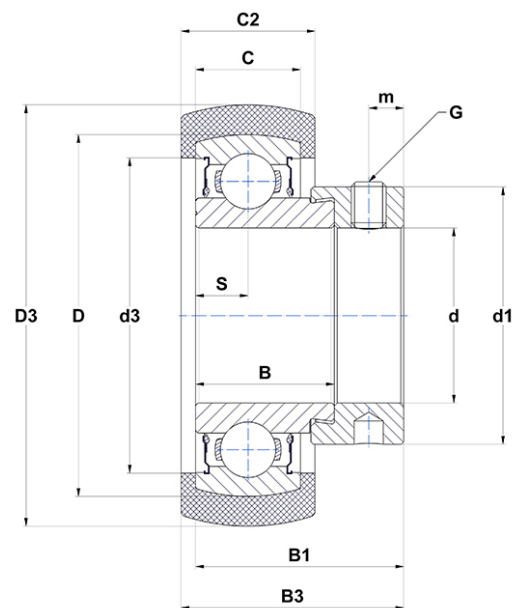
## PDF technical sheet ESR207B



### Insert bearings

spherical outer diameter with rubber damping ring, IR zinc-coated, fixing by eccentric locking collar, single lip seal

Product definition	
B	1.0000 "
B1	1.5315 "
B3	1.6299 "
C	0.7480 "
C2	0.9449 "
d	1.3780 "
d1	2.0118 "
d3	2.4409 "
D	2.8346 "
D3	3.1575 "
G	M8x1
m	0.2559 "
r	35
S	0.3740 "
SW	0.1575 "



m.ncatalog.fo.featuresotherperformance	
C	25.70 kN
C0	15.20 kN
T min.	-4 °C
T max.	185 °C

Other features	
Weight	1.90 oz
Recommended tightening torque for set screw	11.50 Nm