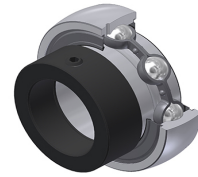


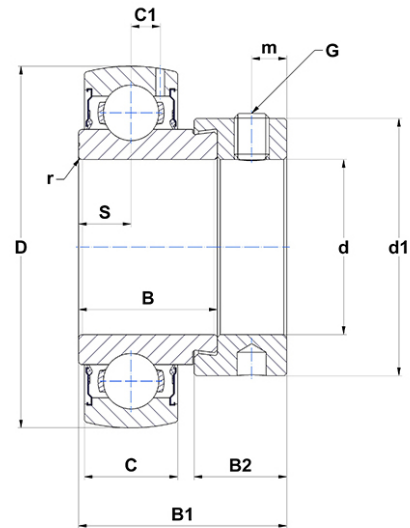
PDF technical sheet ES20311G2T04



Insert bearings

spherical outer diameter, fixing by eccentric locking collar, single lip seal, for low-temp. applications

Product definition	
B	0.7520 "
B1	1.1260 "
B2	0.5315 "
C	0.4724 "
C1	0.1417 "
d	0.6875 "
d1	1.0709 "
D	1.5748 "
G	1/428UNF
m	0.1969 "
r	0.6
S	0.2559 "
SW	0.1250 "



m.ncatalog.fo.featuresotherperformance	
C	9.55 kN
C0	4.78 kN
T min.	-40 °C
T max.	212 °C

Other features	
Weight	0.46 oz
Recommended tightening torque for set screw	3.70 Nm