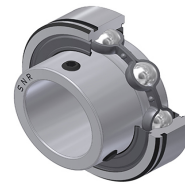


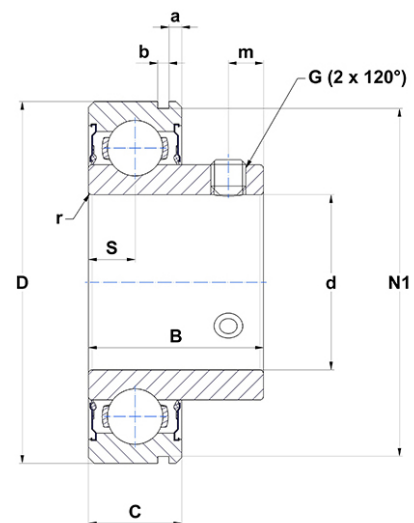
PDF technical sheet CUS210



Insert bearings

cylindrical outer diameter, fixing by socket set screw, single lip seal

Product definition	
a	0.1457 "
b	0.1063 "
B	1.7126 "
C	0.7874 "
d	1.9685 "
D	3.5433 "
G	M8x1
m	0.3543 "
N1	3.4169 "
r	1.5
S	0.3937 "
SW	0.1575 "



m.ncatalog.fo.featuresotherperformance	
C	35.10 kN
C0	23.20 kN
T min.	-4 °C
T max.	212 °C

Other features	
Weight	2.33 oz
Recommended tightening torque for set screw	11.50 Nm