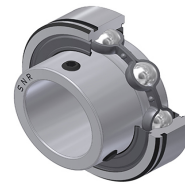


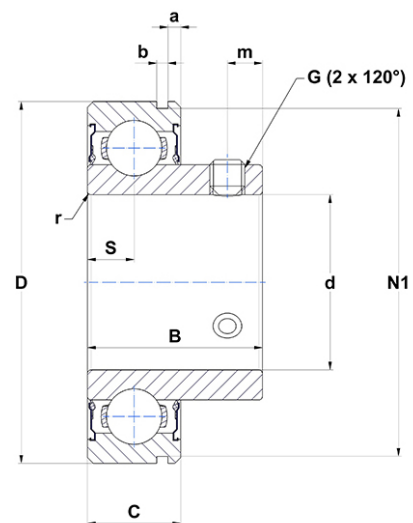
PDF technical sheet CUS20927



Insert bearings

cylindrical outer diameter, fixing by socket set screw, single lip seal

| Product definition | |
|--------------------|-----------|
| a | 0.1252 " |
| b | 0.0748 " |
| B | 1.6220 " |
| C | 0.7480 " |
| d | 1.6875 " |
| D | 3.3465 " |
| G | 5/1624UNF |
| m | 0.3150 " |
| N1 | 3.2209 " |
| r | 1.5 |
| S | 0.3740 " |
| SW | 0.1563 " |



| m.ncatalog.fo.featuresotherperformance | |
|--|----------|
| C | 31.85 kN |
| C0 | 20.80 kN |
| T min. | -4 °C |
| T max. | 212 °C |

| Other features | |
|---|---------|
| Weight | 2.54 oz |
| Recommended tightening torque for set screw | 8 Nm |