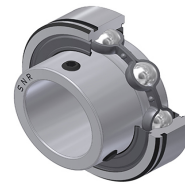


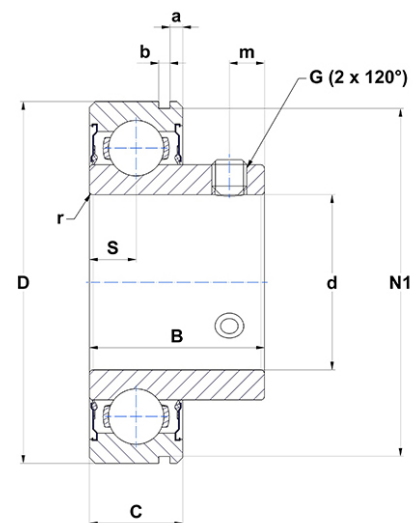
PDF technical sheet CUS20824



Insert bearings

cylindrical outer diameter, fixing by socket set screw, single lip seal

Product definition	
a	0.1252 "
b	0.0748 "
B	1.3386 "
C	0.7087 "
d	1.5000 "
D	3.1496 "
G	5/1624UNF
m	0.3150 "
N1	3.0240 "
r	1
S	0.3543 "
SW	0.1563 "



m.ncatalog.fo.featuresotherperformance	
C	32.60 kN
C0	19.90 kN
T min.	-4 °C
T max.	212 °C

Other features	
Weight	2.12 oz
Recommended tightening torque for set screw	8 Nm