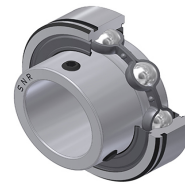


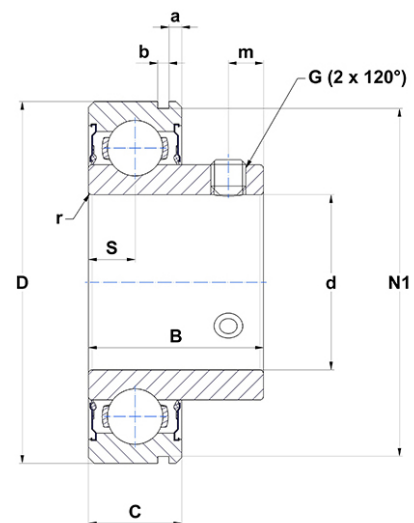
PDF technical sheet CUS20619



Insert bearings

cylindrical outer diameter, fixing by socket set screw, single lip seal

Product definition	
a	0.1252 "
b	0.0748 "
B	1.1811 "
C	0.6299 "
d	1.1875 "
D	2.4409 "
G	1/428UNF
m	0.2165 "
N1	2.3469 "
r	1
S	0.3150 "
SW	0.1250 "



m.ncatalog.fo.featuresotherperformance	
C	19.50 kN
C0	11.20 kN
T min.	-4 °C
T max.	212 °C

Other features	
Weight	0.88 oz
Recommended tightening torque for set screw	3.70 Nm