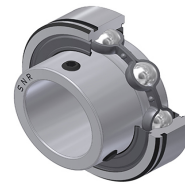


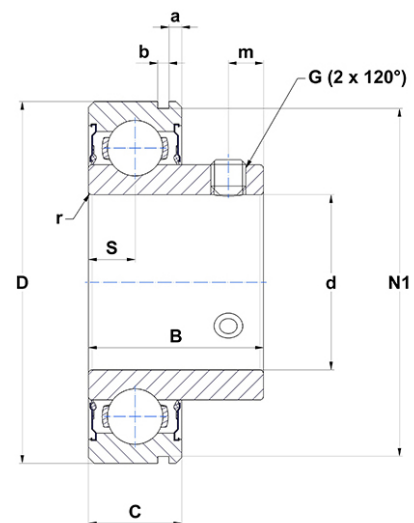
PDF technical sheet CUS20515



Insert bearings

cylindrical outer diameter, fixing by socket set screw, single lip seal

| Product definition | |
|--------------------|----------|
| a | 0.0937 " |
| b | 0.0531 " |
| B | 1.0630 " |
| C | 0.5906 " |
| d | 0.9375 " |
| D | 2.0472 " |
| G | 1/428UNF |
| m | 0.1969 " |
| N1 | 1.9579 " |
| r | 1 |
| S | 0.2953 " |
| SW | 0.1250 " |



| m.ncatalog.fo.featuresotherperformance | |
|--|---------|
| C | 14 kN |
| C0 | 7.88 kN |
| T min. | -4 °C |
| T max. | 212 °C |

| Other features | |
|---|---------|
| Weight | 0.63 oz |
| Recommended tightening torque for set screw | 3.70 Nm |