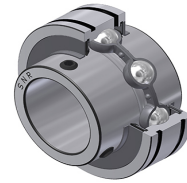


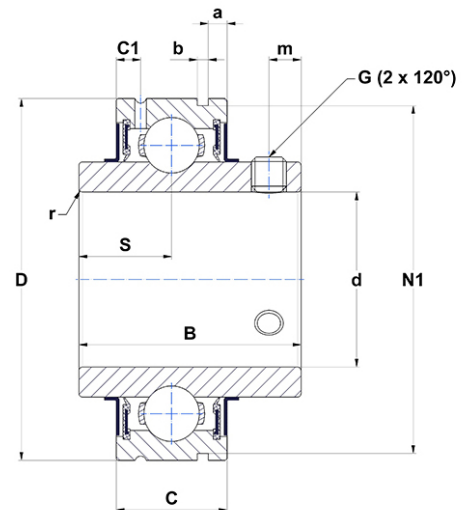
PDF technical sheet CUC21031



Insert bearings

cylindrical outer diameter, fixing by socket set screw, seal with slinger

Product definition	
a	0.1457 "
b	0.1063 "
B	2.0315 "
C	0.9449 "
C1	0.2205 "
d	1.9375 "
D	3.5433 "
G	3/824UNF
m	0.3543 "
N1	3.4169 "
r	1.1
S	0.7480 "
SW	0.1875 "



m.ncatalog.fo.featuresotherperformance	
C	35.10 kN
C0	23.20 kN
T min.	-4 °C
T max.	212 °C

Other features	
Weight	2.89 oz
Recommended tightening torque for set screw	16.80 Nm