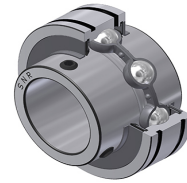


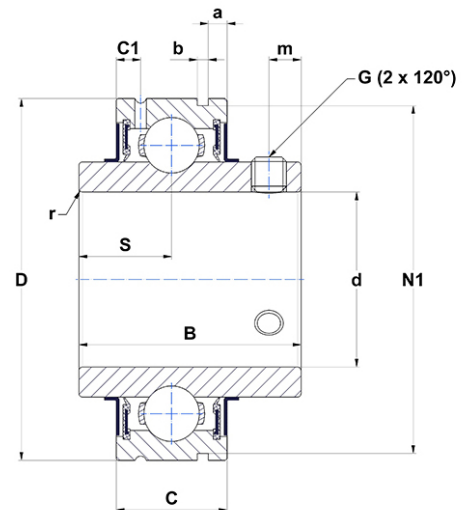
PDF technical sheet CUC208



Insert bearings

cylindrical outer diameter, fixing by socket set screw, seal with slinger

Product definition	
a	0.1339 "
b	0.0748 "
B	1.9370 "
C	0.8268 "
C1	0.1969 "
d	1.5748 "
D	3.1496 "
G	M8x1
m	0.3150 "
N1	3.0240 "
r	1.1
S	0.7480 "
SW	0.1575 "



m.ncatalog.fo.featuresotherperformance	
C	32.60 kN
C0	19.90 kN
T min.	-4 °C
T max.	212 °C

Other features	
Weight	2.26 oz
Recommended tightening torque for set screw	11.50 Nm