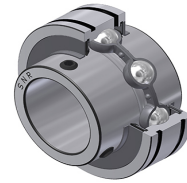


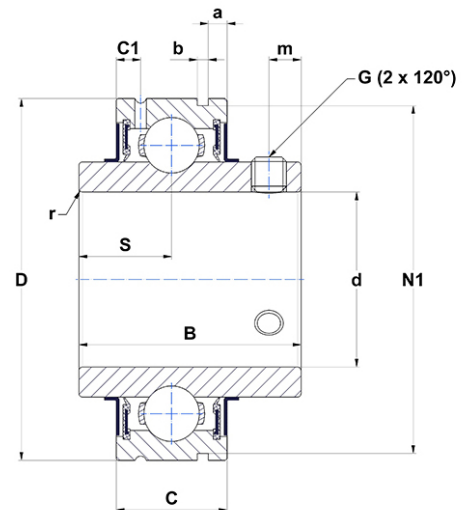
PDF technical sheet CUC20723



Insert bearings

cylindrical outer diameter, fixing by socket set screw, seal with slinger

Product definition	
a	0.1299 "
b	0.0748 "
B	1.6890 "
C	0.7874 "
C1	0.1969 "
d	1.4375 "
D	2.8346 "
G	5/1624UNF
m	0.2559 "
N1	2.7091 "
r	1.1
S	0.6890 "
SW	0.1563 "



m.ncatalog.fo.featuresotherperformance	
C	25.70 kN
C0	15.20 kN
T min.	-4 °C
T max.	212 °C

Other features	
Weight	1.59 oz
Recommended tightening torque for set screw	8 Nm