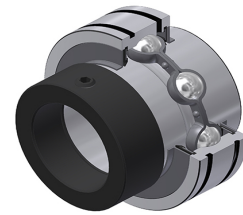


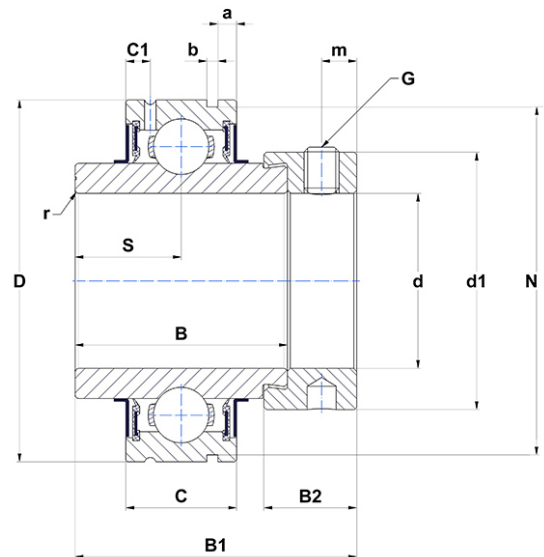
## PDF technical sheet CEX20927



### Insert bearings

cylindrical outer diameter, fixing by eccentric locking collar, seal with slinger

Product definition	
a	0.1378 "
b	0.0748 "
B	1.6850 "
B1	2.2165 "
B2	0.7205 "
C	0.8661 "
C1	0.2008 "
d	1.6875 "
d1	2.5000 "
D	3.3465 "
G	5/1624UNF
m	0.2559 "
N1	3.2209 "
r	1.5
S	0.8425 "
SW	0.1563 "



m.ncatalog.fo.featuresotherperformance	
C	31.85 kN
C0	20.80 kN
T min.	-4 °C
T max.	212 °C

Other features	
Weight	3.21 oz
Recommended tightening torque for set screw	8 Nm