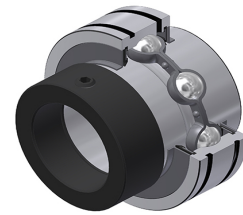


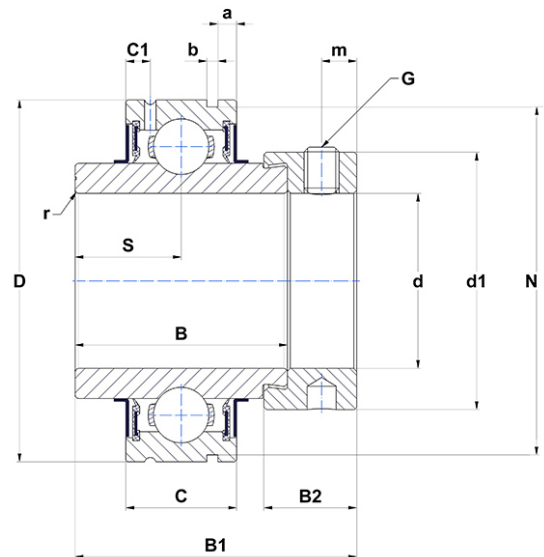
PDF technical sheet CEX20514



Insert bearings

cylindrical outer diameter, fixing by eccentric locking collar, seal with slinger

Product definition	
a	0.1260 "
b	0.0531 "
B	1.3740 "
B1	1.7480 "
B2	0.5315 "
C	0.6693 "
C1	0.1614 "
d	0.8750 "
d1	1.5000 "
D	2.0472 "
G	1/428UNF
m	0.1969 "
N1	1.9579 "
r	1
S	0.6890 "
SW	0.1250 "



m.ncatalog.fo.featuresotherperformance	
C	14 kN
C0	7.88 kN
T min.	-4 °C
T max.	212 °C

Other features	
Weight	0.88 oz
Recommended tightening torque for set screw	3.70 Nm