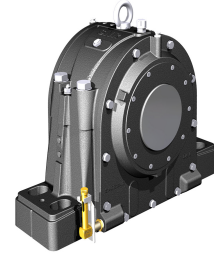


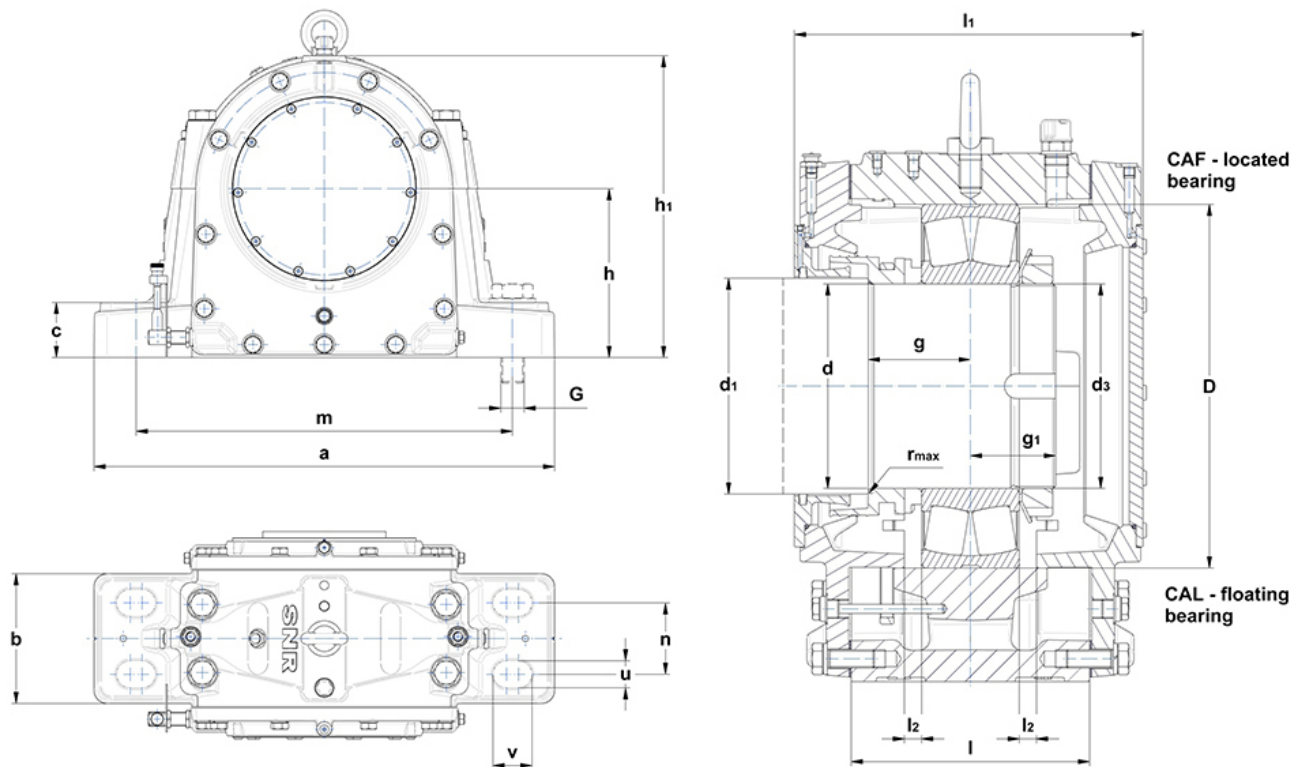
bearing 1	Nut	Lock washer	Feltstrips (optional)
22252	HM 52 T	MB 52	11x14x1090

PDF technical sheet SNOE2522DCAL



Split plummer block housings SNOE

split plummer block housing for spherical roller bearings with cylindrical bore, made of ductile cast, for oil lubrication



Product definition	
d	10.2362 "
d1	11.0236 "
d3	TR260x4
a	42.1260 "
b	11.8110 "
c	5.1181 "
g	4.9213 "
g1	4.1732 "
h	14.5669 "
h1	26.4173 "
l	12.9921 "
l1	16.9291 "
l2	0.7874 "
m	35.4331 "
n	6.4961 "
u	1.8898 "
v	2.7559 "
r max	0.1575 "
D	18.8976 "
oil level	112.3701 "
oil quantity	196.64 in ³
housing weight	1,985.92 oz
Material of Housing	ductile cast
Brand	SNR

Screws	
fixing bolts G	M42
recommended torque	2,040 Nm
Connection bolts	M36
recommended torque	1,520 Nm
Eye bolt(s)	M24