

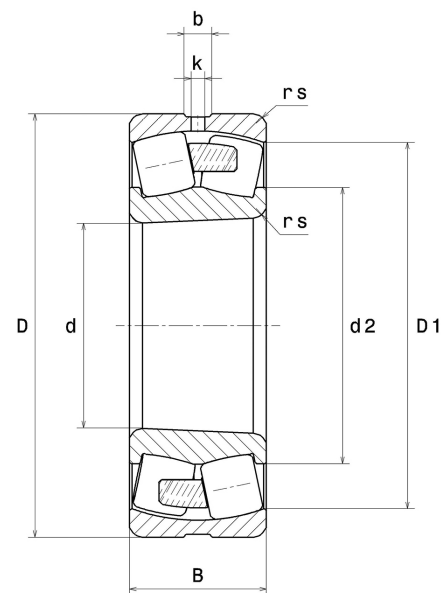
# PDF technical sheet 23230EMKW33C3



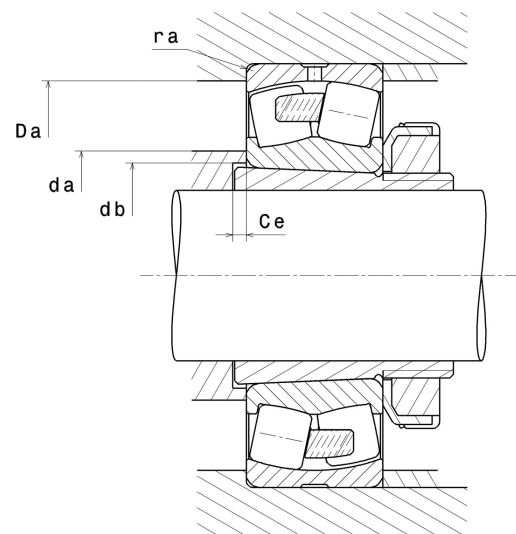
## Double row spherical roller bearings

Spherical roller bearing, one-piece machined cage, groove and lubrication holes on outer ring, tapered bore 1:12

Product definition	
d	5.9055 "
D	10.6299 "
B	3.7795 "
D1	9.3150 "
rs min	0.1181 "
Number of lubrication holes	3
b	0.5394 "
k	0.2362 "
Associated sleeve reference	H2330
e	0.33
Y1	2.03
Y2	3.02
Y0	1.98
Radial clearance class	C3
Mass	80.42 oz
Brand	SNR



Product performance	
Dynamic load, C	1,340 kN
Static load, C0	1,620 kN
Fatigue limit load, Cu	107 kN
Nref	1,500 RPM
Nlim	2,200 RPM
Min operating temperature, Tmin	-40 °C
Max operating temperature, Tmax	392 °C
Characteristic cage frequency, FTF	0.42 Hz
Characteristic rolling element frequency, BSF	6.18 Hz
Characteristic outer ring frequency, BPF0	7.61 Hz
Characteristic inner ring frequency, BPF1	10.39 Hz



### Abutment dimensions

da min	6.4567 "
Da max	10.0787 "
ra max	0.0984 "

### Calculation factors

#### Equivalent dynamic radial load

$$P = X.F_r + Y.F_a$$

Fa / Fr ≤ e		Fa / Fr > e	
X	Y	X	Y
1	Y1	0.67	Y2

#### Equivalent static radial load

$$P_0 = X_0.F_r + Y_0.F_a$$

X <sub>0</sub>	Y <sub>0</sub>
1	Y0

The values for e, Y1, Y2 and Y0 are shown in the above table .