

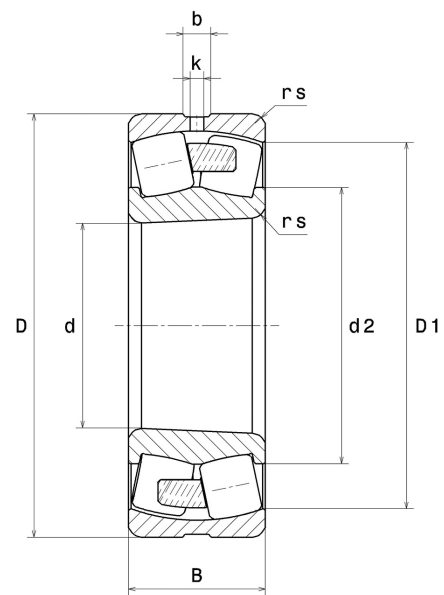
# PDF technical sheet 23164EMKW33C3



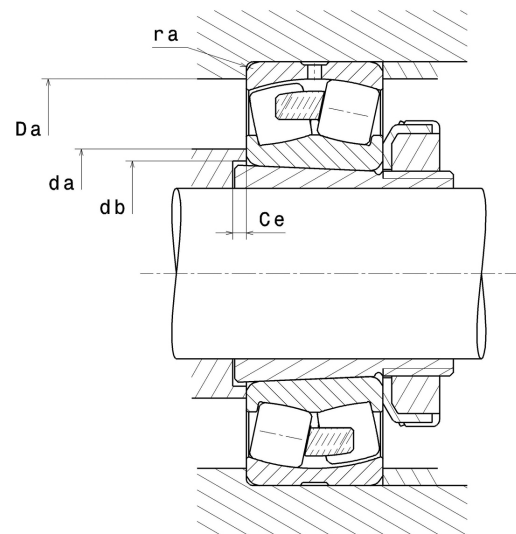
## Double row spherical roller bearings

Spherical roller bearing, one-piece machined cage, groove and lubrication holes on outer ring, tapered bore 1:12

Product definition	
d	12.5984 "
D	21.2598 "
B	6.9291 "
D1	18.8661 "
rs min	0.1969 "
Number of lubrication holes	8
b	1.0669 "
k	0.6299 "
Associated sleeve reference	H3164H
e	0.3
Y1	2.25
Y2	3.34
Y0	2.2
Radial clearance class	C3
Mass	623.64 oz
Brand	SNR



Product performance	
Dynamic load, C	4,370 kN
Static load, C0	6,730 kN
Fatigue limit load, Cu	348 kN
Nref	690 RPM
Nlim	1,200 RPM
Min operating temperature, Tmin	-40 °C
Max operating temperature, Tmax	392 °C
Characteristic cage frequency, FTF	0.44 Hz
Characteristic rolling element frequency, BSF	8.10 Hz
Characteristic outer ring frequency, BPF0	10.57 Hz
Characteristic inner ring frequency, BPF1	13.43 Hz



### Abutment dimensions

da min	13.3858 "
Da max	20.4724 "
ra max	0.1575 "

### Calculation factors

#### Equivalent dynamic radial load

$$P = X.F_r + Y.F_a$$

Fa / Fr ≤ e		Fa / Fr > e	
X	Y	X	Y
1	Y1	0.67	Y2

#### Equivalent static radial load

$$P_0 = X_0.F_r + Y_0.F_a$$

X <sub>0</sub>	Y <sub>0</sub>
1	Y0

The values for e, Y1, Y2 and Y0 are shown in the above table .