

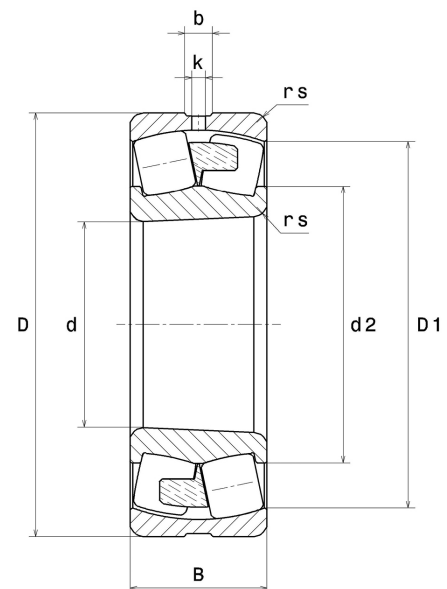
## PDF technical sheet 23156EMKW33C4



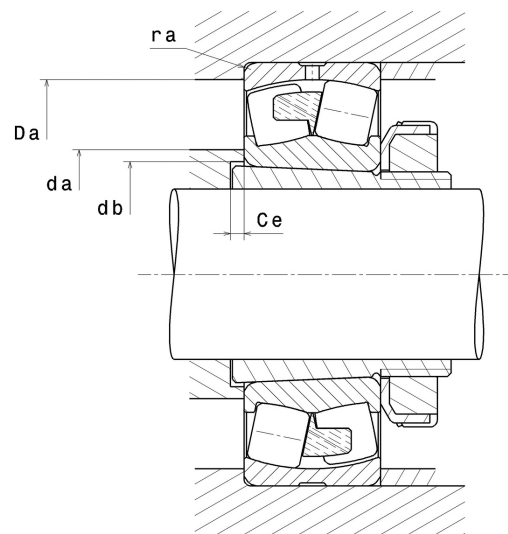
### Double row spherical roller bearings

Spherical roller bearing, one-piece machined cage centred on inner ring, groove and lubrication holes on outer ring, tapered bore 1:12

Product definition	
d	11.0236 "
D	18.1102 "
B	5.7480 "
D1	16.1142 "
rs min	0.1969 "
Number of lubrication holes	8
b	0.7874 "
k	0.4724 "
Associated sleeve reference	H3156H
e	0.29
Y1	2.35
Y2	3.5
Y0	2.3
Radial clearance class	C4
Mass	332.99 oz
Brand	SNR



Product performance	
Dynamic load, C	3,100 kN
Static load, C0	4,710 kN
Fatigue limit load, Cu	259 kN
Nref	850 RPM
Nlim	1,400 RPM
Min operating temperature, Tmin	-40 °C
Max operating temperature, Tmax	392 °C
Characteristic cage frequency, FTF	0.44 Hz
Characteristic rolling element frequency, BSF	8.46 Hz
Characteristic outer ring frequency, BPF0	10.63 Hz
Characteristic inner ring frequency, BPF1	13.37 Hz



### Abutment dimensions

da min	11.8110 "
db min	11.6535 "
Ce min	0.4724 "
Da max	17.3228 "
ra max	0.1575 "

### Calculation factors

#### Equivalent dynamic radial load

$$P = X.Fr + Y.Fa$$

Fa / Fr ≤ e		Fa / Fr > e	
X	Y	X	Y
1	Y1	0.67	Y2

#### Equivalent static radial load

$$Po = Xo.Fr + Yo.Fa$$

Xo	Yo
1	Y0

The values for e, Y1, Y2 and Y0 are shown in the above table .