

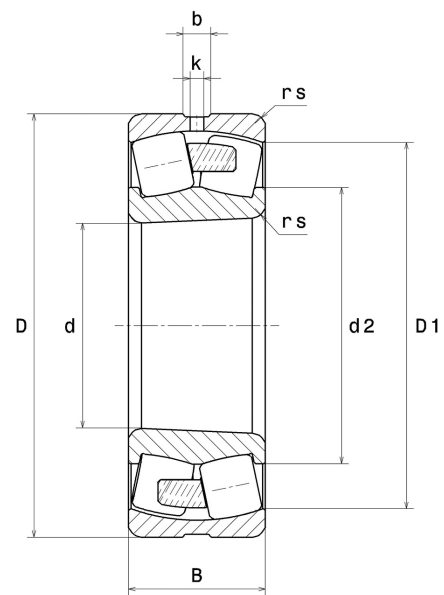
PDF technical sheet 23136EMKW33C4



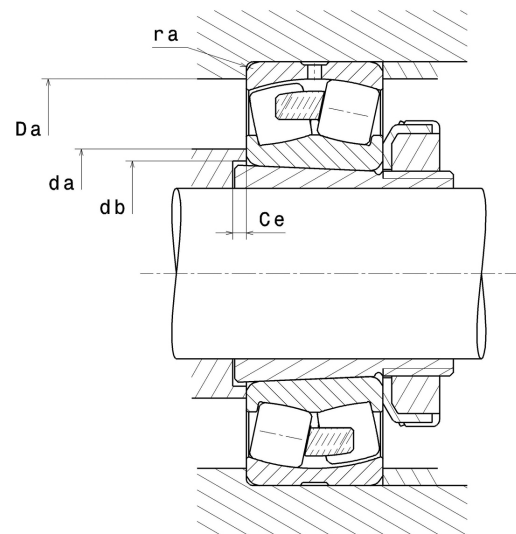
Double row spherical roller bearings

Spherical roller bearing, one-piece machined cage, groove and lubrication holes on outer ring, tapered bore 1:12

Product definition	
d	7.0866 "
D	11.8110 "
B	3.7795 "
D1	10.5039 "
rs min	0.1181 "
Number of lubrication holes	3
b	0.5866 "
k	0.2756 "
Associated sleeve reference	H3136
e	0.29
Y1	2.32
Y2	3.45
Y0	2.26
Radial clearance class	C4
Mass	93.05 oz
Brand	SNR



Product performance	
Dynamic load, C	1,490 kN
Static load, C0	1,960 kN
Fatigue limit load, Cu	128 kN
Nref	1,600 RPM
Nlim	2,100 RPM
Min operating temperature, Tmin	-40 °C
Max operating temperature, Tmax	392 °C
Characteristic cage frequency, FTF	0.43 Hz
Characteristic rolling element frequency, BSF	7.26 Hz
Characteristic outer ring frequency, BPF0	9.11 Hz
Characteristic inner ring frequency, BPF1	11.90 Hz



Abutment dimensions

da min	7.6378 "
Da max	11.2598 "
ra max	0.0984 "

Calculation factors

Equivalent dynamic radial load

$$P = X.F_r + Y.F_a$$

Fa / Fr ≤ e		Fa / Fr > e	
X	Y	X	Y
1	Y1	0.67	Y2

Equivalent static radial load

$$P_0 = X_0.F_r + Y_0.F_a$$

X ₀	Y ₀
1	Y0

The values for e, Y1, Y2 and Y0 are shown in the above table .