

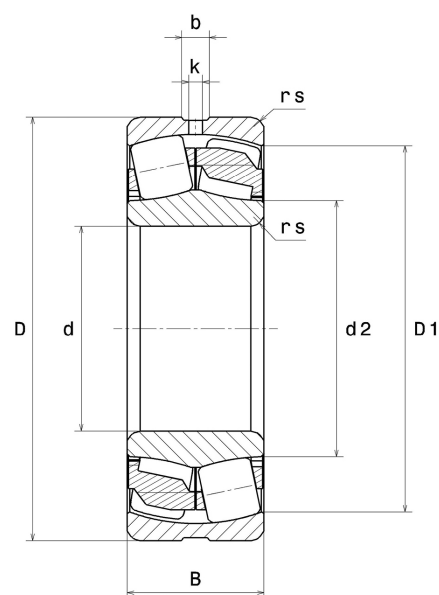
PDF technical sheet 23120EG15W33



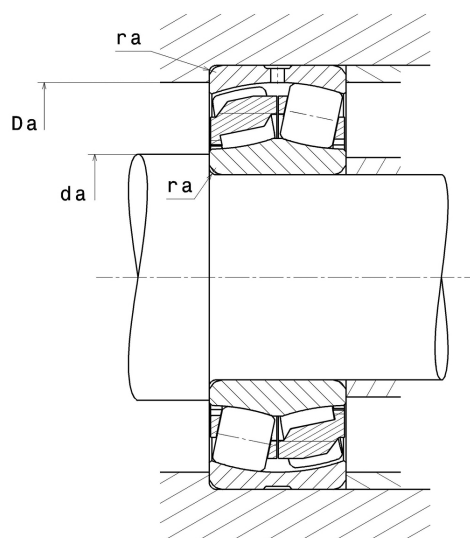
Double row spherical roller bearings

Spherical roller bearing, polyamide cage, groove and lubrication holes on outer ring

Product definition	
d	3.9370 "
D	6.4961 "
B	2.0472 "
d2	4.5118 "
D1	5.7835 "
rs min	0.0787 "
Number of lubrication holes	3
b	0.3307 "
k	0.1575 "
e	0.28
Y1	2.39
Y2	3.56
Y0	2.34
Radial clearance class	CN
Mass	15.52 oz
Brand	SNR



Product performance	
Dynamic load, C	471 kN
Static load, C0	575 kN
Fatigue limit load, Cu	46.30 kN
Nref	3,200 RPM
Nlim	3,900 RPM
Min operating temperature, Tmin	-4 °C
Max operating temperature, Tmax	248 °C
Characteristic cage frequency, FTF	0.44 Hz
Characteristic rolling element frequency, BSF	7.57 Hz
Characteristic outer ring frequency, BPF0	9.60 Hz
Characteristic inner ring frequency, BPF1	12.41 Hz



Abutment dimensions

da min	4.3701 "
Da max	6.0630 "
ra max	0.0787 "

Calculation factors

Equivalent dynamic radial load

$$P = X.F_r + Y.F_a$$

Fa / Fr ≤ e		Fa / Fr > e	
X	Y	X	Y
1	Y1	0.67	Y2

Equivalent static radial load

$$P_0 = X_0.F_r + Y_0.F_a$$

X ₀	Y ₀
1	Y0

The values for e, Y1, Y2 and Y0 are shown in the above table .