

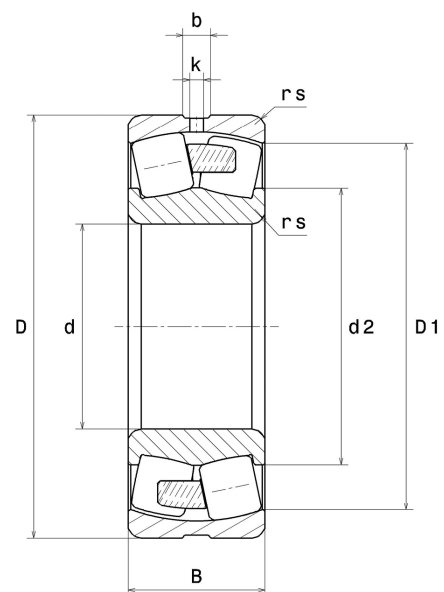
PDF technical sheet 23064EMW33



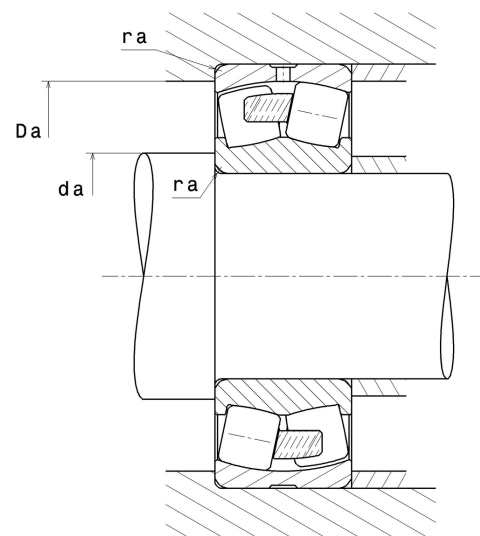
Double row spherical roller bearings

Spherical roller bearing, one-piece machined cage, groove and lubrication holes on outer ring

Product definition	
d	12.5984 "
D	18.8976 "
B	4.7638 "
d2	14.5669 "
D1	17.3228 "
rs min	0.1575 "
Number of lubrication holes	8
b	0.7874 "
k	0.4724 "
e	0.24
Y1	2.84
Y2	4.23
Y0	2.78
Radial clearance class	CN
Mass	276.97 oz
Brand	SNR



Product performance	
Dynamic load, C	2,420 kN
Static load, C0	4,000 kN
Fatigue limit load, Cu	274 kN
Nref	1,000 RPM
Nlim	1,400 RPM
Min operating temperature, Tmin	-40 °C
Max operating temperature, Tmax	392 °C
Characteristic cage frequency, FTF	0.46 Hz
Characteristic rolling element frequency, BSF	10.99 Hz
Characteristic outer ring frequency, BPF0	14.12 Hz
Characteristic inner ring frequency, BPF1	16.88 Hz



Abutment dimensions

da min	13.1732 "
Da max	18.3228 "
ra max	0.1181 "

Calculation factors

Equivalent dynamic radial load

$$P = X.F_r + Y.F_a$$

Fa / Fr ≤ e		Fa / Fr > e	
X	Y	X	Y
1	Y1	0.67	Y2

Equivalent static radial load

$$P_0 = X_0.F_r + Y_0.F_a$$

X ₀	Y ₀
1	Y0

The values for e, Y1, Y2 and Y0 are shown in the above table .