

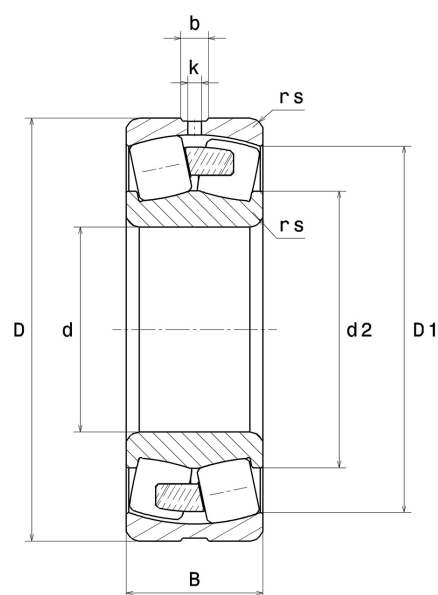
## PDF technical sheet 23036EMW33C3



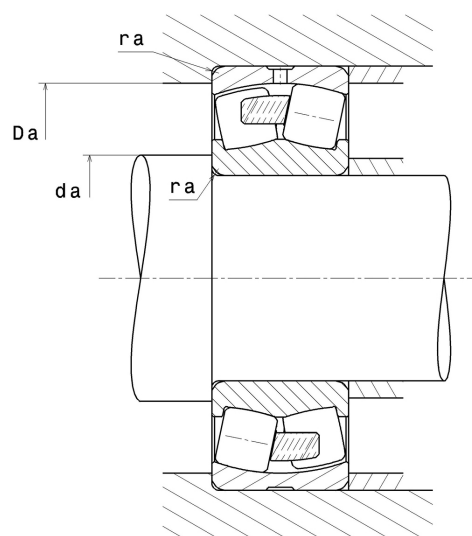
### Double row spherical roller bearings

Spherical roller bearing, one-piece machined cage, groove and lubrication holes on outer ring

Product definition	
d	7.0866 "
D	11.0236 "
B	2.9134 "
D1	10.0394 "
rs min	0.0827 "
Number of lubrication holes	3
b	0.5197 "
k	0.2362 "
e	0.23
Y1	2.95
Y2	4.4
Y0	2.89
Radial clearance class	C3
Mass	59.61 oz
Brand	SNR



Product performance	
Dynamic load, C	1,080 kN
Static load, C0	1,450 kN
Fatigue limit load, Cu	113 kN
Nref	2,000 RPM
Nlim	2,500 RPM
Min operating temperature, Tmin	-40 °C
Max operating temperature, Tmax	392 °C
Characteristic cage frequency, FTF	0.44 Hz
Characteristic rolling element frequency, BSF	8.42 Hz
Characteristic outer ring frequency, BPF0	10.61 Hz
Characteristic inner ring frequency, BPF1	13.39 Hz



### Abutment dimensions

da min	7.4882 "
Da max	10.6220 "
ra max	0.0787 "

### Calculation factors

#### Equivalent dynamic radial load

$$P = X.F_r + Y.F_a$$

Fa / Fr ≤ e		Fa / Fr > e	
X	Y	X	Y
1	Y1	0.67	Y2

#### Equivalent static radial load

$$P_0 = X_0.F_r + Y_0.F_a$$

X <sub>0</sub>	Y <sub>0</sub>
1	Y0

The values for e, Y1, Y2 and Y0 are shown in the above table .