

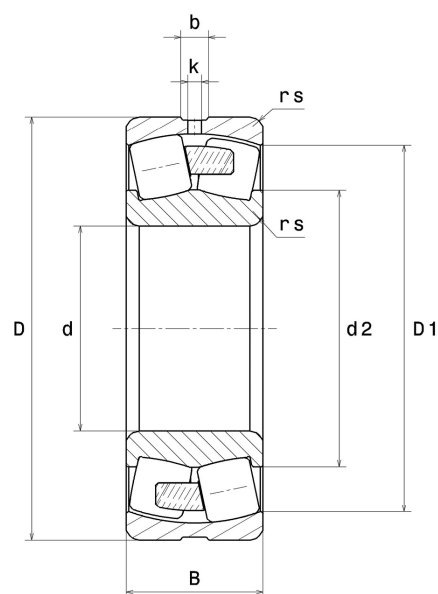
## PDF technical sheet 23028EMW33C4



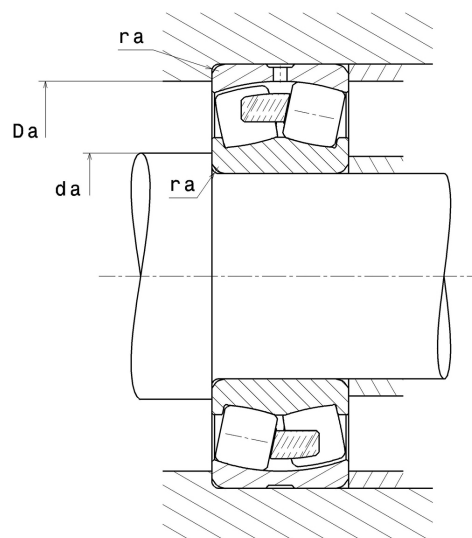
### Double row spherical roller bearings

Spherical roller bearing, one-piece machined cage, groove and lubrication holes on outer ring

Product definition	
d	5.5118 "
D	8.2677 "
B	2.0866 "
d2	6.1260 "
D1	7.5866 "
rs min	0.0787 "
Number of lubrication holes	3
b	0.3504 "
k	0.1575 "
e	0.22
Y1	3.14
Y2	4.67
Y0	3.07
Radial clearance class	C4
Mass	22.72 oz
Brand	SNR



Product performance	
Dynamic load, C	597 kN
Static load, C0	783 kN
Fatigue limit load, Cu	67 kN
Nref	2,800 RPM
Nlim	3,400 RPM
Min operating temperature, Tmin	-40 °C
Max operating temperature, Tmax	392 °C
Characteristic cage frequency, FTF	0.45 Hz
Characteristic rolling element frequency, BSF	8.89 Hz
Characteristic outer ring frequency, BPF0	11.13 Hz
Characteristic inner ring frequency, BPF1	13.88 Hz



### Abutment dimensions

da min	5.8583 "
Da max	7.9213 "
ra max	0.0787 "

### Calculation factors

#### Equivalent dynamic radial load

$$P = X.F_r + Y.F_a$$

Fa / Fr ≤ e		Fa / Fr > e	
X	Y	X	Y
1	Y1	0.67	Y2

#### Equivalent static radial load

$$P_0 = X_0.F_r + Y_0.F_a$$

X <sub>0</sub>	Y <sub>0</sub>
1	Y0

The values for e, Y1, Y2 and Y0 are shown in the above table .