

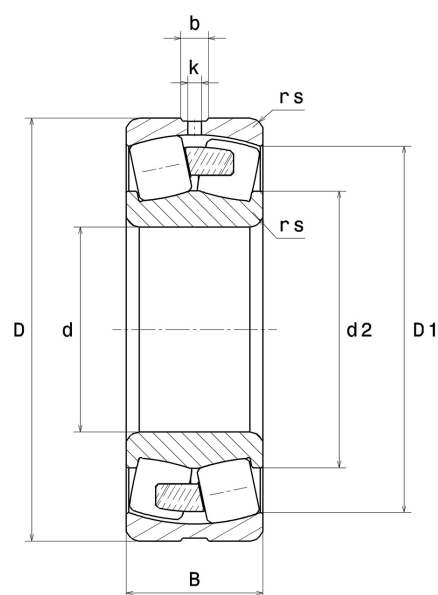
## PDF technical sheet 23024EMW33C3



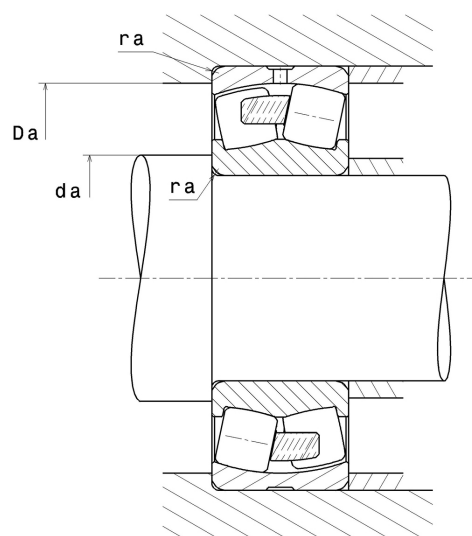
### Double row spherical roller bearings

Spherical roller bearing, one-piece machined cage, groove and lubrication holes on outer ring

Product definition	
d	4.7244 "
D	7.0866 "
B	1.8110 "
D1	6.4921 "
rs min	0.0787 "
Number of lubrication holes	3
b	0.3071 "
k	0.1378 "
e	0.22
Y1	3.14
Y2	4.67
Y0	3.07
Radial clearance class	C3
Mass	14.18 oz
Brand	SNR



Product performance	
Dynamic load, C	446 kN
Static load, C0	577 kN
Fatigue limit load, Cu	51.70 kN
Nref	3,300 RPM
Nlim	3,900 RPM
Min operating temperature, Tmin	-40 °C
Max operating temperature, Tmax	392 °C
Characteristic cage frequency, FTF	0.45 Hz
Characteristic rolling element frequency, BSF	9.06 Hz
Characteristic outer ring frequency, BPF0	11.15 Hz
Characteristic inner ring frequency, BPF1	13.85 Hz



### Abutment dimensions

da min	5.0709 "
Da max	6.7402 "
ra max	0.0787 "

### Calculation factors

#### Equivalent dynamic radial load

$$P = X.F_r + Y.F_a$$

Fa / Fr ≤ e		Fa / Fr > e	
X	Y	X	Y
1	Y1	0.67	Y2

#### Equivalent static radial load

$$P_0 = X_0.F_r + Y_0.F_a$$

X <sub>0</sub>	Y <sub>0</sub>
1	Y0

The values for e, Y1, Y2 and Y0 are shown in the above table .