

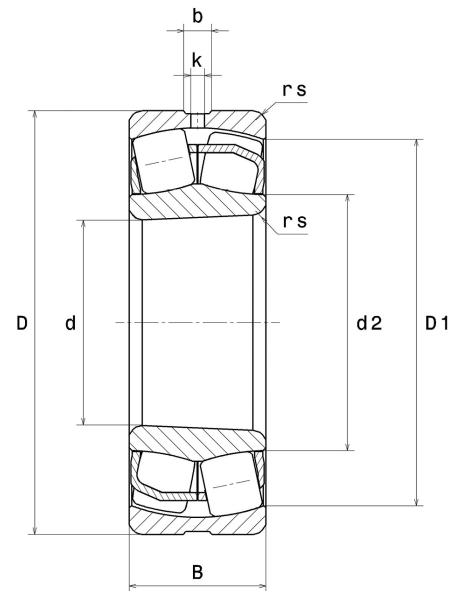
## PDF technical sheet 22224EAKW33C4



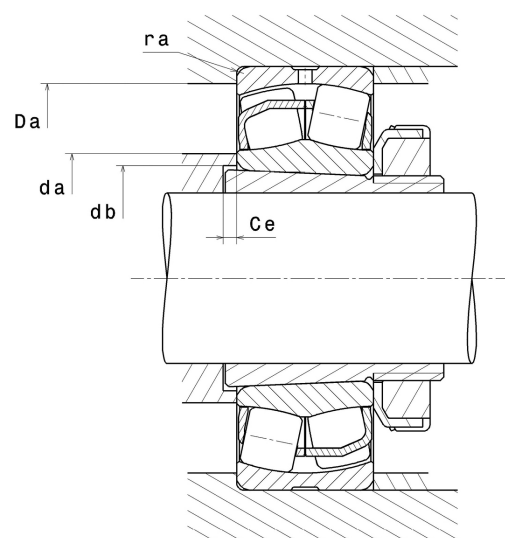
### Double row spherical roller bearings

Spherical roller bearing, pressed steel cage, groove and lubrication holes on outer ring, tapered bore 1:12

Product definition	
d	4.7244 "
D	8.4646 "
B	2.2835 "
d2	5.5866 "
D1	7.5709 "
rs min	0.0827 "
Number of lubrication holes	3
b	0.4803 "
k	0.2362 "
Associated sleeve reference	H3124
e	0.25
Y1	2.74
Y2	4.08
Y0	2.68
Radial clearance class	C4
Mass	30.27 oz
Brand	SNR



Product performance	
Dynamic load, C	688 kN
Static load, C0	753 kN
Fatigue limit load, Cu	71.30 kN
Nref	3,000 RPM
Nlim	3,800 RPM
Min operating temperature, Tmin	-40 °C
Max operating temperature, Tmax	392 °C
Characteristic cage frequency, FTF	0.42 Hz
Characteristic rolling element frequency, BSF	6.27 Hz
Characteristic outer ring frequency, BPF0	7.62 Hz
Characteristic inner ring frequency, BPF1	10.38 Hz



### Abutment dimensions

da min	5.1969 "
Da max	7.9921 "
ra max	0.0787 "

### Calculation factors

#### Equivalent dynamic radial load

$$P = X.F_r + Y.F_a$$

Fa / Fr ≤ e		Fa / Fr > e	
X	Y	X	Y
1	Y1	0.67	Y2

#### Equivalent static radial load

$$P_0 = X_0.F_r + Y_0.F_a$$

X <sub>0</sub>	Y <sub>0</sub>
1	Y0

The values for e, Y1, Y2 and Y0 are shown in the above table .