

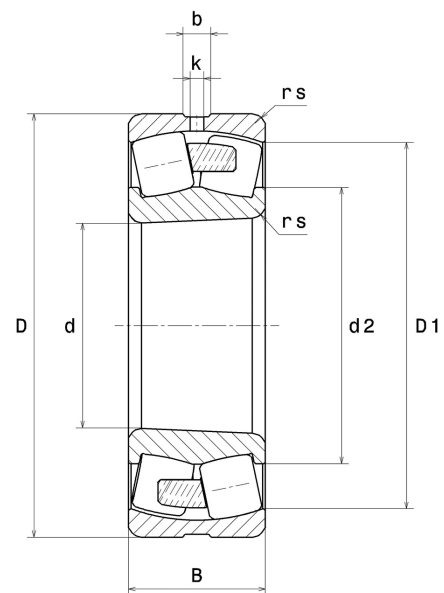
# PDF technical sheet 22216EMKW33C3



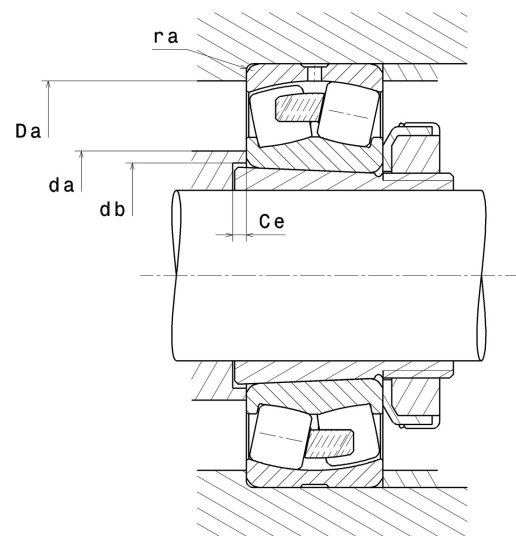
## Double row spherical roller bearings

Spherical roller bearing, one-piece machined cage, groove and lubrication holes on outer ring, tapered bore 1:12

Product definition	
d	3.1496 "
D	5.5118 "
B	1.2992 "
D1	4.9882 "
rs min	0.0787 "
Number of lubrication holes	3
b	0.3110 "
k	0.1378 "
Associated sleeve reference	H316
e	0.22
Y1	3.13
Y2	4.67
Y0	3.06
Radial clearance class	C3
Mass	7.20 oz
Brand	SNR



Product performance	
Dynamic load, C	267 kN
Static load, C0	272 kN
Fatigue limit load, Cu	32.50 kN
Nref	4,300 RPM
Nlim	5,800 RPM
Min operating temperature, Tmin	-40 °C
Max operating temperature, Tmax	392 °C
Characteristic cage frequency, FTF	0.43 Hz
Characteristic rolling element frequency, BSF	6.68 Hz
Characteristic outer ring frequency, BPF0	7.70 Hz
Characteristic inner ring frequency, BPF1	10.31 Hz



### Abutment dimensions

da min	3.5827 "
Da max	5.0787 "
ra max	0.0787 "

### Calculation factors

#### Equivalent dynamic radial load

$$P = X.F_r + Y.F_a$$

Fa / Fr ≤ e		Fa / Fr > e	
X	Y	X	Y
1	Y1	0.67	Y2

#### Equivalent static radial load

$$P_0 = X_0.F_r + Y_0.F_a$$

X <sub>0</sub>	Y <sub>0</sub>
1	Y0

The values for e, Y1, Y2 and Y0 are shown in the above table .