

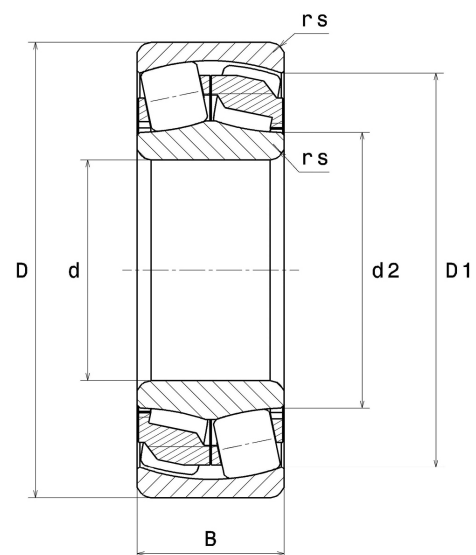
PDF technical sheet 22212EG15C3



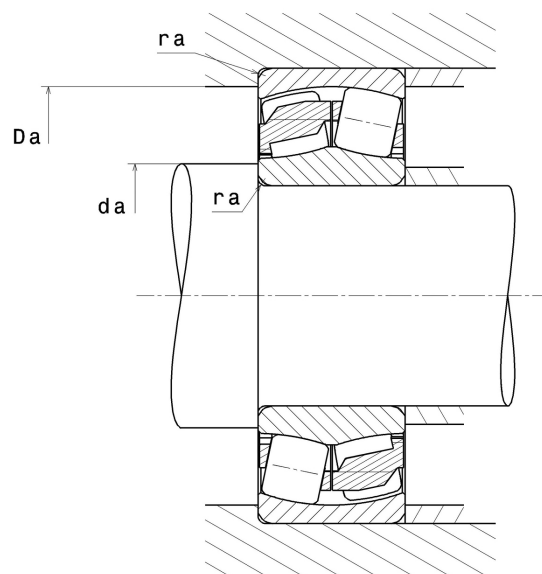
Double row spherical roller bearings

Spherical roller bearing, polyamide cage

Product definition	
d	2.3622 "
D	4.3307 "
B	1.1024 "
d2	2.8307 "
D1	3.8780 "
rs min	0.0591 "
Number of lubrication holes	
e	0.24
Y1	2.84
Y2	4.23
Y0	2.78
Radial clearance class	C3
Mass	3.84 oz
Brand	SNR



Product performance	
Dynamic load, C	187 kN
Static load, C0	181 kN
Fatigue limit load, Cu	22 kN
Nref	5,600 RPM
Nlim	7,500 RPM
Min operating temperature, Tmin	-4 °C
Max operating temperature, Tmax	248 °C
Characteristic cage frequency, FTF	0.42 Hz
Characteristic rolling element frequency, BSF	6.17 Hz
Characteristic outer ring frequency, BPF0	7.60 Hz
Characteristic inner ring frequency, BPF1	10.41 Hz



Abutment dimensions

da min	2.7165 "
Da max	3.9764 "
ra max	0.0591 "

Calculation factors

Equivalent dynamic radial load

$$P = X.F_r + Y.F_a$$

Fa / Fr ≤ e		Fa / Fr > e	
X	Y	X	Y
1	Y1	0.67	Y2

Equivalent static radial load

$$P_0 = X_0.F_r + Y_0.F_a$$

X ₀	Y ₀
1	Y0

The values for e, Y1, Y2 and Y0 are shown in the above table .